









# BUZZ

## Portable speaker

### TLL161251

-  Installation guide and operation instructions
-  Ghid de instalare și instrucțiuni de funcționare
-  Guía de instalación e instrucciones de funcionamiento
-  Guide d'installation et mode d'emploi
-  Guida all'installazione e istruzioni per l'uso
-  Einbauanleitung und Bedienungsanleitung



## Thank you for choosing Tellur products!

To ensure optimum performance and safety, please read this user manual carefully before using the product. Keep this user manual safe for future references.

## Contents

1. GENERAL SAFETY INFORMATIONS: .....	3
1.1. CAUTION.....	3
1.2. ATTENTION.....	3
1.3. MAINTANENCE.....	3
2. PRODUCT OVERVIEW.....	4
2.1. PRODUCT DIAGRAM.....	4
2.2.1. TOP .....	4
2.2.2. BACK .....	4
2.2.3. FRONT .....	4
2.2. FEATURES.....	5
2.3. IN THE BOX.....	5
<b>2.4. NOTE.....</b>	<b>5</b>
3. HOW TO USE .....	5
3.1. POWERING ON/OFF, MAIN CONTROLS AND FUNCTIONS .....	5
3.1.1. POWER ON/OFF .....	5
3.1.2. BLUETOOTH PAIRING.....	6
3.1.3 MAIN CONTROLS .....	7
3.1.4. BASS BOOST .....	7
3.1.4. CHARGING AND POWERBANK FUNCTION .....	7
3.1.6. AUX / USB MODE.....	8
3.1.7. TWS FUNCTION.....	8
3.1.8. RGB Light .....	9
3.1.9. RESTORE TO FACTORY SETTINGS.....	9
4. TECHNICAL SPECIFICATIONS.....	10

## 1. GENERAL SAFETY INFORMATIONS:

### 1.1. CAUTION

- Do not install the speaker in a confined space such as a closed cabinet or bookcase.
- Position this speaker on a surface that is flat and level. Placing it on an inclined surface may cause it to topple or slip off due to its vibrations, potentially leading to injuries, malfunctions, or a decline in performance.
- Make sure there are no fragile items near the speaker that may fall off due to increased vibrations.
- This product contains magnets, do not place the speaker near medical devices, it can cause interferences with normal use. Also, it can interfere with pacemakers, shunt valves or other implanted electronic medical devices, be aware of this when operating the product in proximity.
- Do not expose the speaker to high temperatures, such as under direct sunlight, near a heat source, in a sauna, or in a vehicle with closed windows (especially in summertime).
- Be aware that the speaker is not waterproof, keep away from liquid spills, water jets, rain, or other sources of water.
- Use an appropriate USB power adapter with an output of min. 5V/2A and the included charging cable. Otherwise, the speaker may not charge at its optimum performance or may even damage the device.

### 1.2. ATTENTION

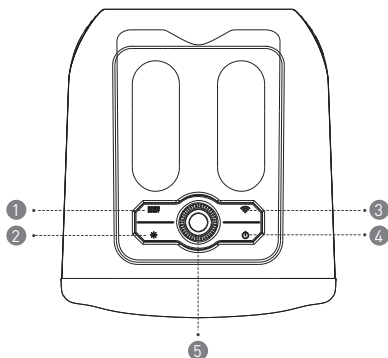
- Don't use the product if it is damaged in any way, shape, or form.
- Don't attempt to repair, disassemble, or modify this product.
- If the speaker is not used for a prolonged period, disconnect it from the power supply.
- If not used for a long period of time, it is recommended that you fully charge the speaker periodically to prolong the battery life.
- Respect the technical specifications of the product and do not use it outside the declared operating parameters.

### 1.3 MAINTANENCE

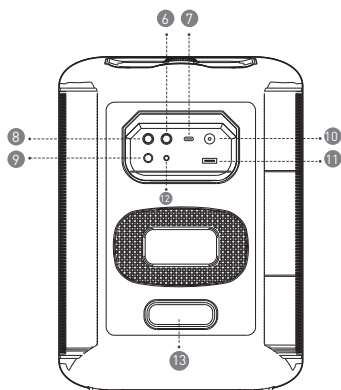
- Unplug the speaker from the power supply before cleaning.
- Clean the product by wiping with a dry or slightly damp cloth. The cable and charger may only be dry dusted.

## 2. PRODUCT OVERVIEW

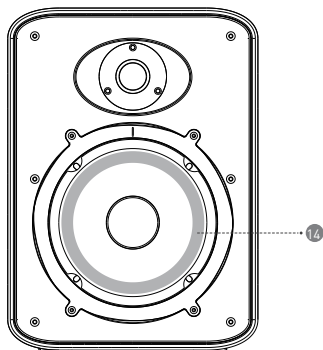
### 2.1. PRODUCT DIAGRAM



1. Bass Boost ON/OFF
2. RGB light ON/OFF/Change lighting style.
3. Reset / Remove connection with any connected device.
4. ON/OFF button.
5. Volume +/-, Play/Pause, Previous/Next song button/knob.



6. Microphone Echo knob.
7. USB-C charging port DC 5V/2A
8. Microphone volume knob.
9. Microphone input port – Jack 6.35mm
10. TWS connection button
11. USB-A port for USB Flash music playback or power output for other devices DC 5V/1A
12. AUX IN – Jack 3.5mm
13. Device information



14. Circular RGB lights around the main speaker

## 2.2. FEATURES

- Up to 80W of output power, Tellur Buzz speaker offers immersive audio, filling any space with vibrant sound, perfect for parties or outdoor adventures.
- Equipped with a 50W woofer and 30W tweeter for full range sound coverage.
- Bass Boost function to enhance bass performance, delivering deep, pulsating beats.
- TWS (True Wireless Stereo) – Connect 2 Buzz speakers to increase the listening experience.
- Multiple audio input connections available – Bluetooth, USB, AUX jack 3.5mm
- Easy to use control buttons for Play/pause, volume, previous/next song.
- Charging function for other devices with 5V/1A output power.
- RGB light effects with multiple styles to choose from.
- Up to 6 hours of battery autonomy (dependent on volume level and audio connection/content)
- Two standing ways, vertical and backward angled for optimized sound distribution.

## 2.3. IN THE BOX

- 1 x Buzz Bluetooth speaker
- 1 x USB-A to USB-C cable 2 meters
- 1 x User Manual

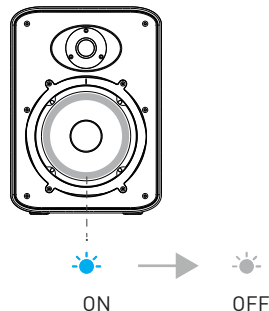
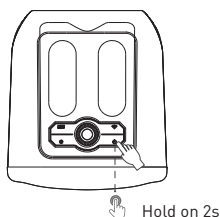
2.4. NOTE - For full technical specifications please check chapter 4.

## 3. HOW TO USE

### 3.1. POWERING ON/OFF, MAIN CONTROLS AND FUNCTIONS

#### 3.1.1. POWER ON/OFF

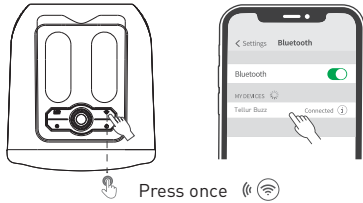
- Long press the power button for 2 seconds, you will hear a prompt sound and the RGB lights will turn ON. Long press again for 2 seconds, the RGB lights and the speaker will turn OFF.



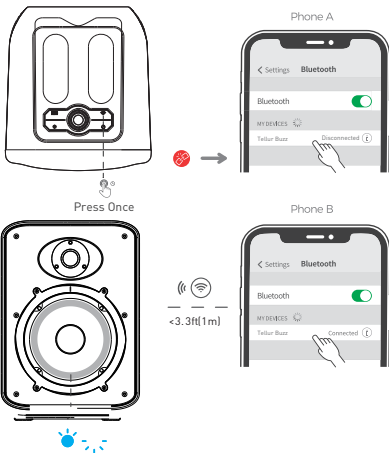
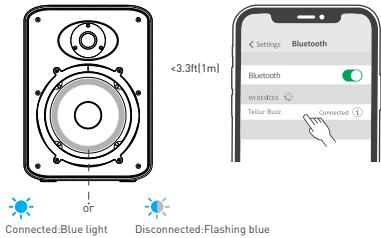
- NOTE - If the speaker is not connected to any device for 10 minutes, it will turn OFF automatically to save power.
- NOTE - If the device connected to the speaker doesn't play any music for 30 minutes, the speaker will disconnect automatically.

### 3.1.2. BLUETOOTH PAIRING

- NOTE – Audio input priority is USB > AUX > Bluetooth. When using USB or AUX connection, the Bluetooth will be disabled.

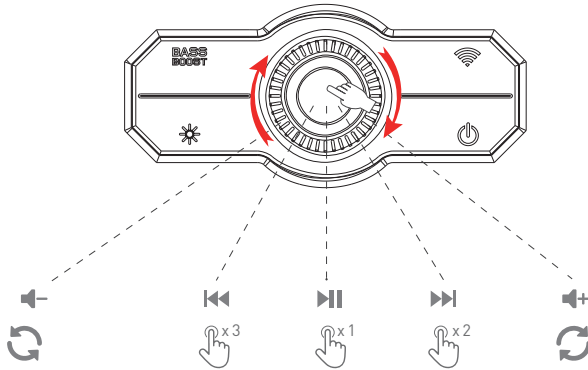


- Power ON the speaker, it will automatically enter Bluetooth pairing mode.
- If previous connected device has the Bluetooth function active and is in range, it will automatically reconnect.
- If no device is automatically connected, activate Bluetooth function on the device and search for Tellur Buzz, click connect.



- To disconnect current device(A) and connect with other previously paired device (B), press once the reset button and check for Tellur Buzz on the other device – click connect.
- To reset the connection, long press the reset button for 7 seconds.

### 3.1.3 MAIN CONTROLS



When you are using the speaker in Bluetooth mode you can use Volume knob/button to:

- Counterclockwise rotation to turn down the volume.
- Press three times to go back one song.
- Press once to play/pause music.
- Press two times to go to the next song.
- Clockwise rotation to turn the volume up.

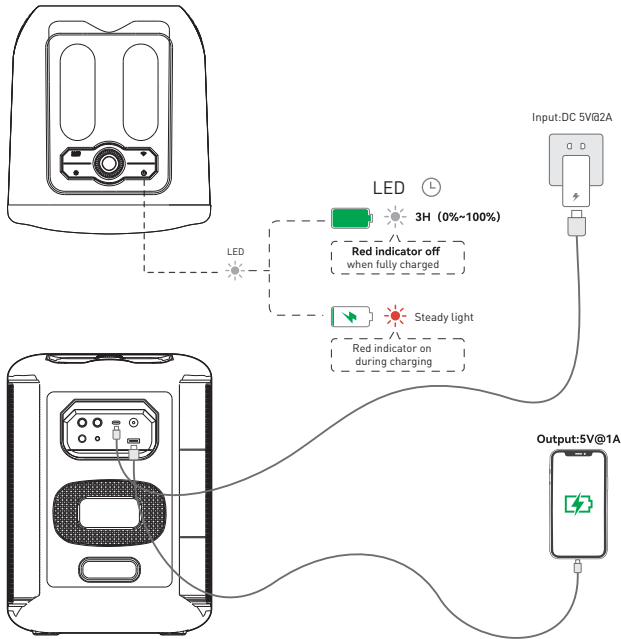
#### 3.1.4. BASS BOOST

When you start the speaker for the first time, it will start in normal mode. To change the equalizer in Bass Boost Mode press once the Bass Boost Button. RGB light will show white color as confirmation. To change it back to normal mode, press Bass Boost Button again. RGB lights will show yellow color as confirmation.

#### 3.1.5. CHARGING AND POWERBANK FUNCTION

- To charge the speaker you need to connect it to a power source with an output of min. 10W (5V/2A) – Note that the AC adaptor is not included as standard accessory.
- Charging time from 0% to 100% is about 3 hours, with the speaker turned OFF.
- When connected to a power source, If the LED of the power button is ON, the speaker is charging. When the LED is OFF, the speaker is fully charged.
- When the speaker is signaling low battery notification (when battery is equal or lower than 20%), please connect to a power source. Otherwise, depending on the volume and environment conditions, the battery may be depleted in a short period of time.

- If the speaker's battery is fully empty and the speaker has turned OFF automatically, please charge the device for at least 15 minutes before using it again.
- Power bank function - When the speaker is turned on, you can connect your device to the USB-A port and charge it with a maximum power output of 5W (5V/1A).



### 3.1.6. AUX / USB MODE

- For non-Bluetooth devices, use the provided audio cable to connect the speaker with your device. From any playing mode, the speaker will automatically switch to AUX playing mode when you connect it to another device via AUX cable. In AUX mode, all functions can be controlled through the external device.
- When using USB mode, you can use the main controls at the top of the speaker to increase/decrease the volume, play/pause, next/previous song.

### 3.1.7. TWS FUNCTION

- Make sure neither speaker relates to any Bluetooth device, press the TWS button on either speaker to connect.



- The RGB light of the speaker that you press the button on will flash green light with a prompt tone which means the TWS connection is complete.
- The speaker that you pressed the TWS button will be the main unit, left channel, the other speaker will be secondary unit, right channel.

### 3.1.8. RGB Light

- To turn ON/OFF the RGB light press the RGB Light Button for about 2s.
- To change the style of the RGB light press RGB light once.

### 3.1.9. RESTORE TO FACTORY SETTINGS

- With Buzz speaker powered ON, press the Reset button for 7 seconds, there will be a prompt tone, which means the Buzz speaker has been reset successfully. Power the speaker OFF and ON again to start the new pair.
- You might need to Reset the Buzz speaker if it's not in correct connection with your devices.
- After the reset, remove "Tellur Buzz" from your device list first, and then search the pair name again.
- After the reset is successful, make sure the speaker is powered OFF and ON again before starting a new connection.

## 4. TECHNICAL SPECIFICATIONS

EN

<b>BT version:</b>	5.3
<b>Bluetooth profile:</b>	A2DP1.3/AVRCP1.6/HFP1.7
<b>Bluetooth transmitter frequency range:</b>	2402MHz-2480MHz
<b>Bluetooth transmitter power:</b>	-4dbm +6dbm
<b>Bluetooth communication range:</b>	10m
<b>Connectivity:</b>	Bluetooth, AUX, USB
<b>Output power (W):</b>	1*50W +1*30W
<b>Rated power:</b>	80W RMS
<b>Audio type:</b>	Stereo
<b>Play time:</b>	Up to 6H (dependent on volume level and audio content)
<b>Frequency response:</b>	40Hz-20KHz(±6dB)
<b>Impedance:</b>	Woofer:4 Ohms (±15%) Tweeter:6 Ohms (±15%)
<b>Signal-to-Noise ratio:</b>	81dB
<b>Supported audio format:</b>	MP3/WAV/WMA
<b>Charging time:</b>	4-5 hours
<b>USB charge out:</b>	5V/2A
<b>Tellur Multiple Link:</b>	2
<b>Features:</b>	EQ function General or Bass Boost. RGB light. Powerbank.
<b>Battery capacity:</b>	4000mAh
<b>Charging port:</b>	USB-C (5V/2A)
<b>Dimensions:</b>	337 x 245 x 280mm
<b>Weight:</b>	5.8 kg
<b>Color:</b>	Black
<b>Package includes:</b>	1 x Buzz Bluetooth speaker. 1 x USB-A to USB-C cable.  1 x Manual.

## Disposal and recycling information

The crossed-out wheeled-bin symbol on your product, battery, literature or packaging reminds you that all electronic products and batteries must be taken to separate waste collection points at the end of their working lives; they must not be disposed of in the normal waste stream with household garbage. It is the responsibility of the user to dispose of the equipment using a designated collection point or service for separate recycling of electrical and electronic equipment waste (WEEE) and batteries according to local laws. Proper collection and recycling of your equipment helps ensure EEE waste is recycled in a manner that conserves valuable materials and protects human health and the environment. Improper handling, accidental breakage, damage, and/or improper recycling at the end of its life may be harmful for health and environment.

